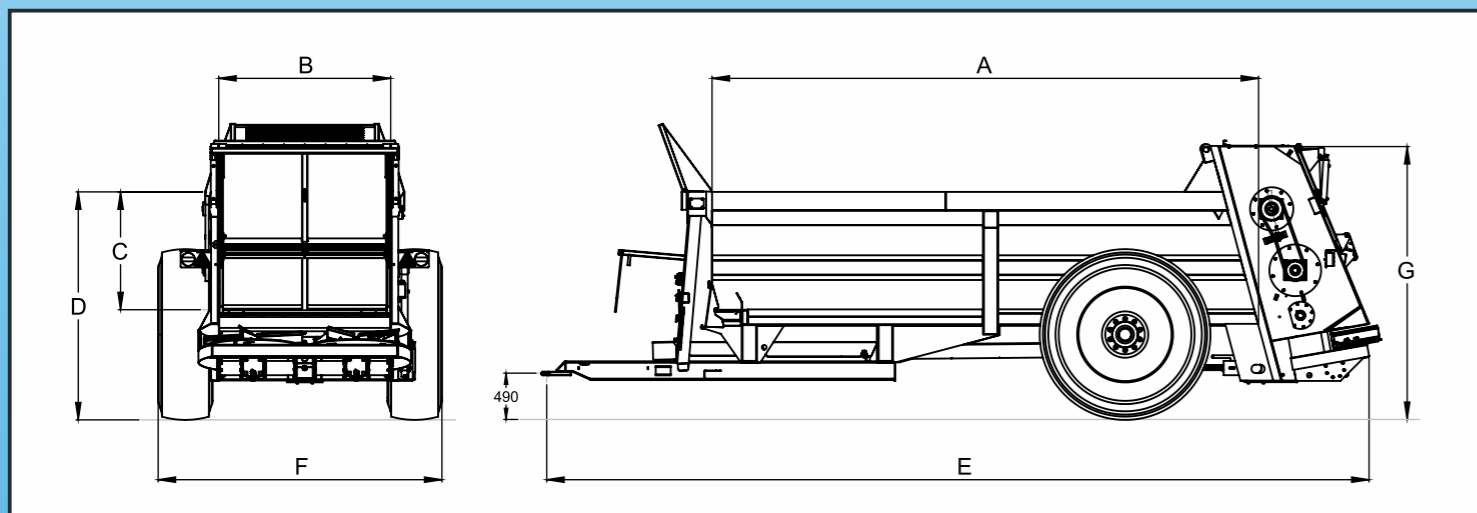


	105 - Mk4	120 - Mk4	150 - Mk4	150HD - Mk2	175HD - Mk2	180 - WB	230 - WB	320 - WB	380 - WB
Axle	Single	Single	Single	Single	Single	Single	Tandem	Tri-axle	Tri-axle
Axle Beam Size	130mm	150mm	150mm	150mm	150mm solid	150mm	130mm	150mm	150mm
Carrying Capacity	10500kg	12000kg	15000kg	15000kg	17500kg	18000kg	23000kg	32000kg	38000kg
Cubic metres level	10.4m	11.6m	12.6m	13.6m	18m	14.6m	16m	20m	25m
Cubic metres heaped	13.2m	14.6m	15.9m	17.1m	23m	21m	26m	32m	40m
Heaped etx. capacity	17.5m	19.1m	20.9m	22.8m	N/A	N/A	N/A	N/A	N/A
Body size (int. m)	5.0 x 1.5 x 1.23	5.28 x 1.5 x 1.29	5.82 x 1.5 x 1.29	5.82 x 1.6 x 1.27	5.82 x 1.6 x 1.58	5.82 x 1.83 x 1.26	5.82 x 1.83 x 1.46	7.82 x 1.83 x 1.49	7.82 x 1.83 x 1.71
Floor drive	Hydraulic	Hydraulic	Hydraulic	Hydraulic	Hydraulic	Hydraulic	Hydraulic	Hydraulic	Hydraulic
Floor chain size	16mm	16mm	16mm	20mm	20mm	20mm	20mm	20mm	20mm
Brake size mm	406mm x 120mm	406mm x 120mm	406mm x 140mm	406mm x 140mm	420mm x 200mm	406mm x 140mm	406mm x 120mm	406mm x 120mm	406mm x 140mm
Tyre size	580/70 R38	580/70 R38	580/70 R38	580/70 R38 HL	710/70 R42 HL	710/70 R38 HL	650/55 R26.5	650/55 R26.5	650/55 R26.5
Spread mechanism	Spinning disc	Spinning disc	Spinning disc	Spinning disc	Spinning disc	Spinning disc	Spinning disc	Spinning disc	Spinning disc
Spread width	Up to 30m	Up to 30m	Up to 30m	Up to 30m	Up to 30m	Up to 30m	Up to 30m	Up to 30m	Up to 30m
PTO speed	1000 RPM	1000 RPM	1000 RPM	1000 RPM	1000 RPM	1000 RPM	1000 RPM	1000 RPM	1000 RPM
Floor plate	5mm	5mm	5mm	5mm	5mm	5mm	5mm	5mm	5mm
Side plate	4mm	4mm	4mm	4mm	4mm	4mm	4mm	4mm	4mm
Unladen weight	7200kg	7500kg	8000kg	8300kg	9500kg	9200kg	10500kg	14000kg	15500kg



Model	A	B	C	D	E	F	G
105 - Mk4	5000	1500	1230	2350*	7920	2920	3150
120 - Mk4	5284	1500	1290	2410*	8204	2920	3150
150 - Mk4	5820	1500	1290	2410*	8740	2920	3150
150HD - Mk2	5820	1600	1270	2520*	8740	3020	3150
175HD - Mk2	5820	1600	1580	2890*	8740	3180	3190
180 - WB	5820	1830	1260	2450*	8740	3500	3115
230 - WB	5820	1830	1460	2885*	8740	3580**	3175
320 - WB	7820	1830	1490	3000*	11300	3580**	3275
380 - WB	7820	1830	1710	3365*	11300	3730**	3430

* Varies depending on wheel size

** 2900 wheels underbody



Lowlander HBD Multi-purpose Spreaders





Twin Heavy duty horizontal beaters.

Dynamically balanced, heat-treated Boron flights with replaceable heat-treated Boron reversible cutters, the beaters are designed to process the toughest of materials and deliver a consistent flow to the spreading discs. De string bars are fitted as standard, making it easier to remove string and other materials that can become wrapped around the beaters.



Heavy duty beater drive.

The horizontal beaters are driven by heavy duty Renold roller chains which incorporate solid rollers and bushes. These are chosen for their unbeatable resistance to wear, fatigue and most of all shock loading. An automatic oiler keeps the chains and sprockets lubricated.



Large diameter spinning discs.

Manufactured from HARDOX, the 1.1 metre diameter spinning discs are fitted with multi position spreading blades to achieve the correct spread patterns for a wide variety of materials. Spread widths from 12 to 30 metres are possible depending on the density and nature of the product being spread. Replaceable HARDOX wear strips line the inside of the spinner deck along with replaceable Boron end wear plates.



Full width floor slats.

Full width floor slats clear the whole floor eliminating the possibility of bridging – a problem sometimes encountered with multi slat floor systems. The socket fit design facilitates maintenance, which can be carried out in the field. It also allows the chain to pull straight, should a slat become bent.



Fully Welded construction.

To ensure the long life and high residual values of the HBD machines the rear spreader mechanism is fully welded to the body of the spreader. The strength and reliability is far greater than a bolt on system. This also aids in the design of the spreader mechanism and ensures the correct feed of product onto the discs.



Hydraulic opening rear canopy (option).

As an option the rear canopy can be opened hydraulically to enable the machine to make windrows for composting or for ease of maintenance. The flat surface of the canopy is constructed from HARDOX, eliminating damage from foreign objects.



Hydraulic boarder spreading deflector (option).

This deflects the material down to the ground and limits the spread width on one side, preventing material being spread beyond the field boundary.



ISOCAN Apollo with ISOBUS ECU

Weigh cells with automatic rate control (option)

The Apollo spreader controllers have all the features for today's farming techniques. Target application rate can be entered into the controller which then monitors the load and adjusts the floor speed accordingly. GPS variable rate technology is supplied as standard and the system can receive an application rate from a third party controller such as a John Deere Greenstar, Raven or Trimble or a pre-defined application map can be loaded to automatically vary the rate. Data can be logged and output to excel or a treatment map are possible. Isobus options are now available.



ISOBUS